

LED Flush Mount Light With Optional Trim Ring

Pre - Installation Notes

- Do not cut any wires. Any extra wire length can be coiled up.
- If using insulated wire staples to hold the wires in place, be sure not to pierce or crush the wires.
- During installation, it is recommended that you temporarily cover the photocell on the transformer with dark tape so the lights will be on when you plug them in. This will help check for any issues during installation. Remove tape when done.
- Wiring harness should have enough slack so light fixture can be removed if future replacement is needed

Components



1 1/4" Diameter
Forstner Bit or Bi-
Metal Hole Saw



Power Drill

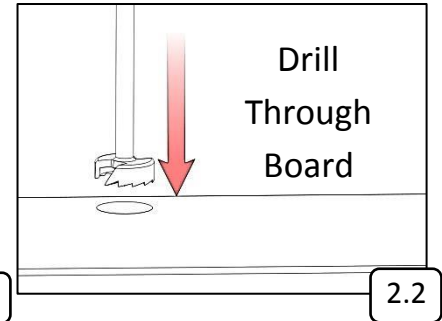
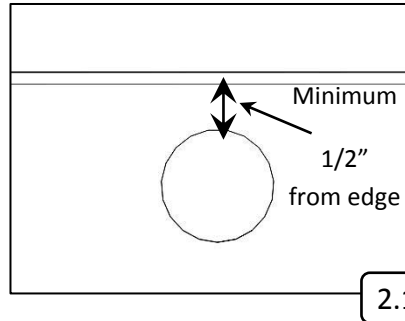


Flush Mount Light with
Trim Ring

Step 1

Prepare the Transformer and Wiring Harness

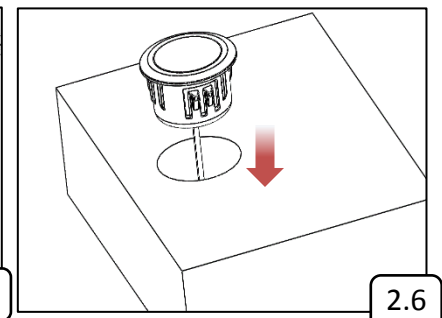
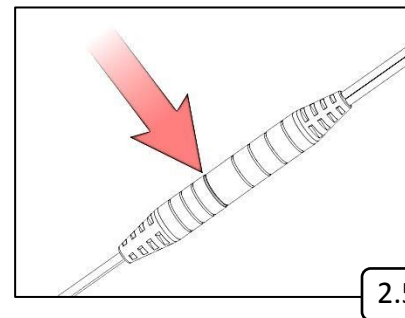
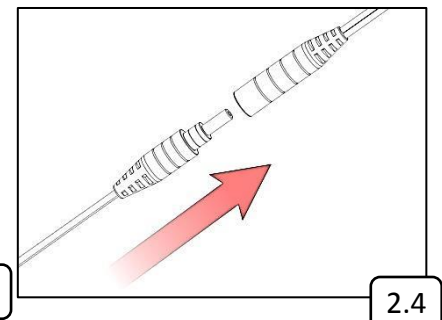
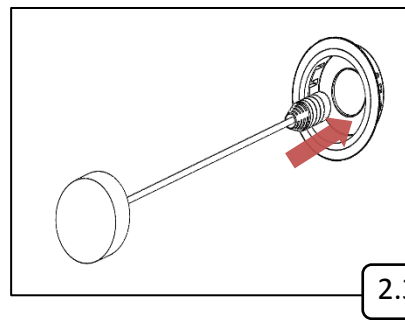
- 1.1 Follow instructions provided with the transformer.
- 1.2 Follow instructions for the wiring harnesses so there is a male connector located at each location that will have a light installed.



Step 2

Drill Holes and Install Light

- 2.1 Layout the location of the light(s). To prevent splitting, do not install within 1/2" of the edge of the light and the edge the deck board.
- 2.2 Use a 1 1/4" Diameter Forstner Bit or Bi-Metal Hole Saw to bore a flat bottom hole through the deck board. Insert the male end of the harness mentioned in Step 1.2 through the back of the drilled hole.
- 2.3 Insert the wire of the flush mount light into the hole of the trim ring accessory, and press the face of the light so it is flush with the lip of the trim ring.
- 2.4 Plug the male connector of the harness from Step 2.2 into the female connector attached to the light.
- 2.5 Connection is fully engaged when there is minimal gap between the male and female connector.
- 2.6 Firmly insert the connected harnesses first, followed by the trim ring and seated light, into the hole drilled in Step 2.2. Press firmly until the lip of the trim ring rests atop the surface of the deck board.
- 2.7 The flush mount light will now be illuminated if the transformer is on and providing power.



*If the drilled hole is too loose to hold the light snugly, a small amount of silicone caulk on the inside of the hole is recommended to hold the light in place.