

# LED Under Rail Strip

## Pre - Installation Notes

- Do not cut any wires. Any extra wire length can be coiled up.
- Read all steps below before beginning installation.
- Steps below are for general guidance, various railing designs may require modified installation steps.
- Piece of heat-shrink tubing between LEDs and wires should remain straight. Do not bend or kink.

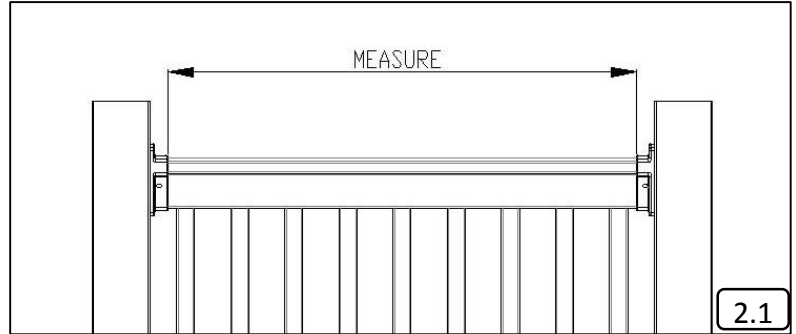
## Tools / Materials Needed

- Drill
- 1/2" Drill Bit
- 1/8" Flat Blade Screwdriver
- Fine Tooth Saw
- Scissors
- Silicone Caulk
- Pencil
- Tape Measure

## Step 1

### Prepare the Transformer and Wiring Harness

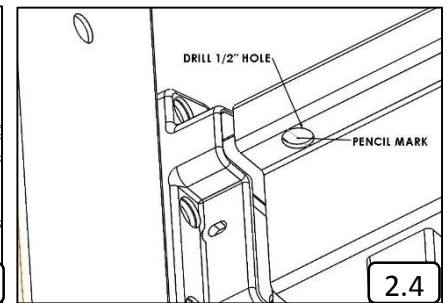
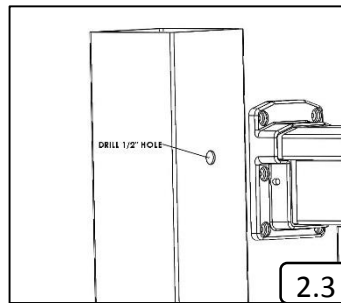
- 2.1 Follow instructions provided with the transformer.
- 2.2 Follow instructions for the wiring harnesses so there is a male connector located at each post that will have a light installed. Anchor harness in post so weight of harness does not pull on strip light.



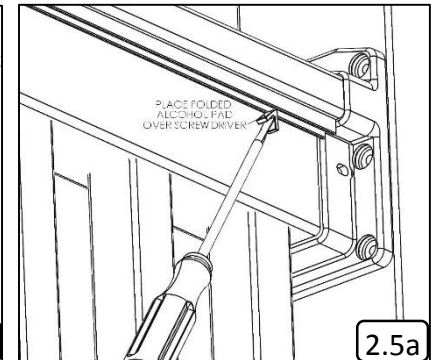
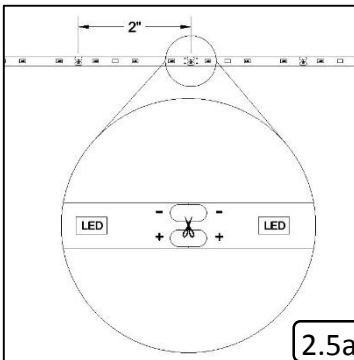
## Step 2

### Prepare the Rail

- 2.1 Measure distance between brackets. Cut PVC channel 1/4" shorter than measurement using fine tooth saw.
- 2.2 Use pencil to mark bracket location on bottom of rail.
- 2.3 Remove screws from bracket and push rail to the side. Drill 1/2" hole in post.
- 2.4 Remove bracket from rail and drill 1/2" hole where line was drawn in step 2.2.
- 2.5 Measure and cut LED strip light to required length.
  - a. Strip can only be cut at designated locations every 2 inches. (See Image 2.5a)
  - b. If required length does not fall on cutline move to the next location making the strip longer.



- 2.6 Reinstall bracket onto rail. Place plug of strip light into rail. Install bracket onto rail. Plug strip light into harness plug in post.



- 2.7 Using supplied alcohol pads clean under side of rail and both surfaces of PVC channel. Do not throw used pads away, they are needed in later step.
- 2.8 Only remove release liner on one side of adhesive. Apply adhesive strip to back of PVC channel.
- 2.9 Remove release liner on back of PVC channel and position on railing. Start at end with hole allowing small gap for strip light to move in the hole. Push firmly on the channel to securely attach to rail.
- 2.10 Starting at end opposite the plug, remove a few inches of release liner from LED strip. Place into the channel and press into place with folded alcohol pad from step 2.7 placed over tip of screwdriver. Continue to remove release liner and slide along with screw driver pressing into place. The alcohol pad is needed so pressure point from screwdriver does not damage LEDs. When getting close to plug end push any extra strip light into the hole.
- 2.11 Finalize installation by adding a dab of silicone caulk to the end of strip that was cut. The dab can be placed on end of screwdriver and inserted into the channel. This is necessary to protect the exposed circuit of the strip light.