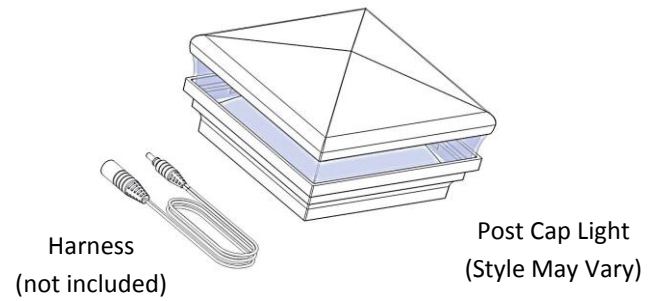


LED Post Cap Light

Pre - Installation Notes

- Do not cut any wires. Any extra wire length can be coiled up.
- If using insulated wire staples to hold the wires in place, be sure not to pierce or crush the wires.
- During installation, it is recommended that you temporarily cover the photocell on the transformer with dark tape so the lights will be on when you plug them in. This will help check for any issues during installation. Remove tape when done.

Components



Step 1

Prepare the Transformer and Wiring Harness

- 1.1 Follow instructions provided with the transformer.
- 1.2 Follow instructions for the wiring harnesses so there is a male connector located at each post location that will have a light installed.

Step 2

Prepare the Post and the Post Cap Light

- 2.1 Run a Harness (not included) down the inside of the post or post wrap with the male connector hanging out the top of the post.
- 2.2 The female harness connector should be hanging out of the bottom under the deck - it will fit through a 1/2" hole if needed.
 - (a) If using a metal post mount, the wire can run down the center of the post mount and through the hole in the center of the post mount.
 - (b) If using a wood post, a small notch can be removed from the corner to allow room for the wire. Ensure that future screws or brackets don't damage the wire.
- 2.3 Plug the male connector from Step 2.1 into the female connector attached to the light. Press firmly until the connection is fully engaged.
- 2.4 Connection is fully engaged when there is minimal gap between the male and female connector.
- 2.5 Carefully align the Post Cap Light and set on top of the post or post wrap. Any extra wire can be coiled up inside the post.
- 2.6 Plug the female harness connector from Step 2.2 into the male harness connector from Step 1.2. The Post Cap Light will now be illuminated if the transformer is on.

Step 3

Finalize Installation

- 3.1 (Optional) (a) After the light is confirmed working, lift the Post Cap Light from the post and apply a bead of clear exterior silicone caulking (not supplied) where the Post Cap Light will be installed onto the post or post wrap.
 - (b) Replace Post Cap Light onto the adhesive.
- 3.2 If dark tape was used to cover the photocell on the transformer during the installation process, remove it for normal operation.

