

## Solar Cap with Accessory Connect

### Installation Notes

- Do not cut any wires. Any extra wire length can be coiled up.
- Replace battery when required with 14500 or 14505, 3.2V, 600 mAh, LiFePO4 (Lithium Phosphate) battery.

### Step 1

#### Mount lighting fixture to post or rail

- 1.1 Use a template below to drill required holes for light accessory.
- 1.2 For Dome Light run connector through 3/8" hole and install back plate with two screws included. Place the dome/lens portion of the light over the back plate at a slight angle and rotate clockwise to lock in place.
- 1.3 For Stair/Side Light run connector through 3/8" hole and install lens with two screws included. Place either the full or half cover onto the lens by snapping into place.
- 1.4 For Under Rail light run connector through 3/8" hole and mount using the two screws included.

### Step 2

#### Connect to Solar Cap

- 2.1 Run harness from light accessory to cap.
- 2.2 Remove pull tab in battery compartment.
- 2.3 Plug the male connector attached to the light to the female connector on bottom of cap. Press firmly until the connection is fully engaged.
- 2.4 If additional wire length is required the 2' harness extension can be used between cap and light. Using the 2 output splitter allows two lights to be powered by one post cap. (Maximum of 2 lights per solar cap is recommended).

### Step 3

#### Finalize Installation

- 3.1 Apply a bead of clear exterior silicone caulking (not supplied) where the Post Cap Light will be installed onto the post or post wrap. Then place Post Cap Light onto the adhesive.

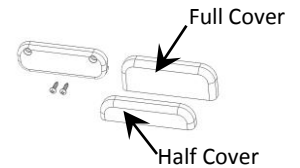
### Components (Each sold separately)



Post Cap  
(Style May Vary)



Dome Side Light



Stair/Side Light



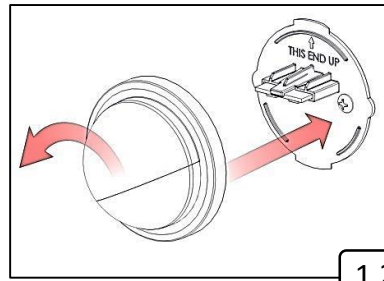
Under Rail



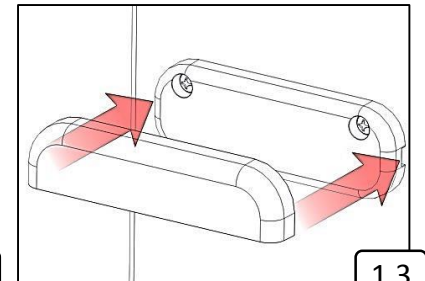
2' Harness  
Extension



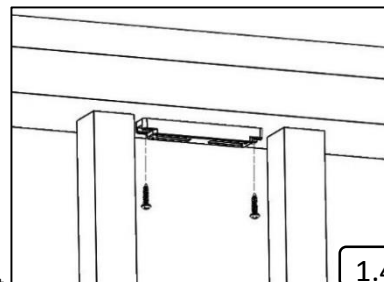
2 Output Splitter



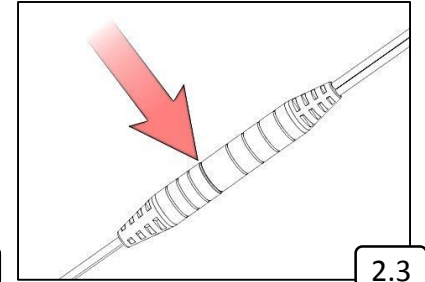
1.2



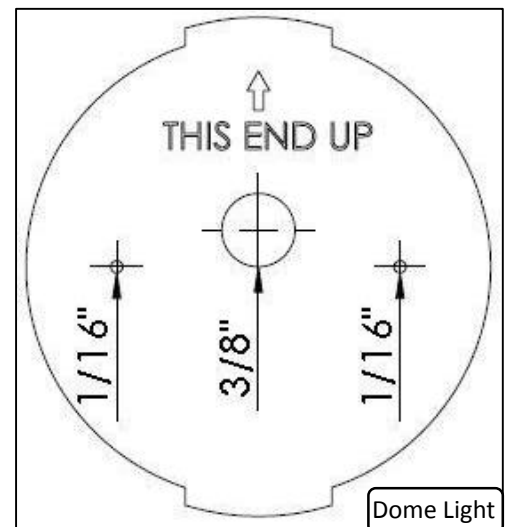
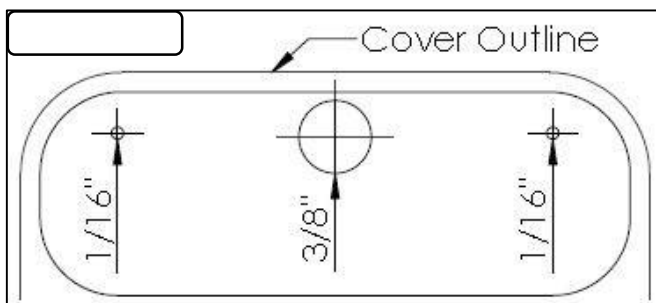
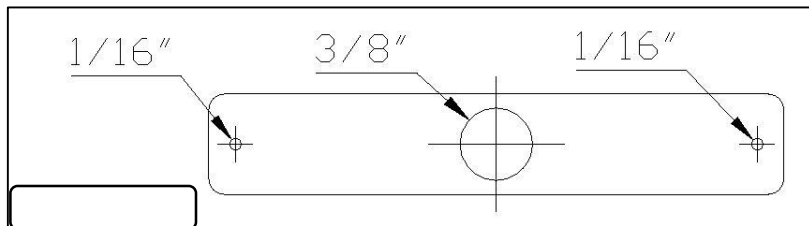
1.3



1.4



2.3



Dome Light